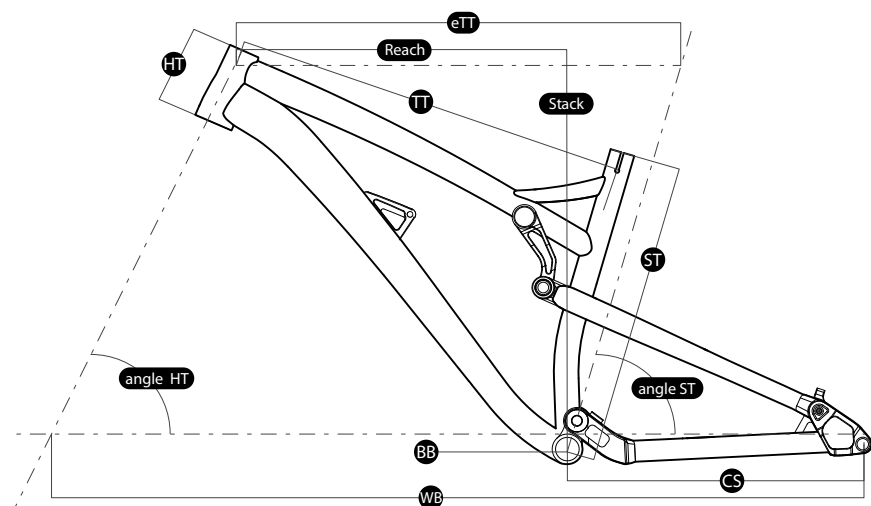


MODEL	*calc. fork travel	reach (mm)	stack (mm)	ST (mm)	TT (mm)	eTT (mm)	CS (mm)	HT (mm)	HT angle	ST angle	BB drop	WB (mm)	**standover (mm)	wheel size	max. tire size	frame travel (mm)	shock size (mm)	bushing size (mm)	***fork travel (mm)	hub size	headset type (S.H.I.S)	BB type (mm)	post diam. (mm)	clamp diam. (mm)	brake mount	max. rotor size (mm)	front derailleur compat.	weight (kg)
ROOTS SHORT	200	400	592	410	520	560	430	115	64°	75°	-5	1170	-	27.5"/26"	27.5"x2.5" 26"x2.5"	200	222x69	22.2x8	180-200	150x12	IS42/ISS2	Euro73	31.6	34.9	PM 160mm	203	no	3.34 (w/o shock); 4.34 (w/ RS Kage)
ROOTS LONG	200	430	592	410	558	590	430	115	64°	75°	-5	1200	-	27.5"/26"	27.5"x2.5" 26"x2.5"	200	222x69	22.2x8	180-200	150x12	IS42/ISS2	Euro73	31.6	34.9	PM 160mm	203	no	3.41 (w/o shock); 4.41 (w/ RS Kage)
WISH SHORT	170	410	584	406	535	552	419	115	65°	76°	-4	1150	-	27.5"/26"	27.5"x2.35" 26"x2.35"	170	215x63	22.2x8	160-180	135x12	IS42/ISS2	Euro73	31.6	34.9	PM 160mm	203	no	3.29 (w/o shock); 3.61 (w/ RS Monarch); 4.20 (w/ RS Kage)
WISH LONG	170	440	584	431	565	582	419	115	65°	76°	-4	1180	-	27.5"/26"	27.5"x2.35" 26"x2.35"	170	215x63	22.2x8	160-180	135x12	IS42/ISS2	Euro73	31.6	34.9	PM 160mm	203	no	3.35 (w/o shock); 3.67 (w/ RS Monarch); 4.26 (w/ RS Kage)
SHINE	140	387	565	305	554	564	403	115	67.5°	-	16	1081	-	26"	26"x2.2"	100	190x50	22.2x8	100-140	135x10	EC34/ZS49 EC34/EC49	Euro73	27.2	31.8	IS	160	no	2.85 (w/o shock)
HORNET MEDIUM	160	400	620	406	576	590	426	115	66.5°	73°	28	1130	-	27.5"/26"	27.5"x2.4" 26"x2.4"	-	-	-	120-170	135x12	IS42/ISS2	Euro73	31.6	34.9	IS	203	no	2.25
HORNET LARGE	160	430	620	457	596	621	426	115	66.5°	73°	28	1160	-	27.5"/26"	27.5"x2.4" 26"x2.4"	-	-	-	120-170	135x12	IS42/ISS2	Euro73	31.6	34.9	IS	203	no	2.30
HORNET 4X	100	415	570	355	574	589	400	115	68°	73°	28	1076	-	26"	26"x2.4"	-	-	-	80-130	135x12	IS42/ISS2	Euro73	31.6	34.9	IS	160	no	2.15
PRIMAL 27.5 SMALL	140	390	625	430	566	581	420	120	67°	73°	40	1095	785	27.5"	27.5"x2.35"	-	-	-	130-160	135x10	IS42/ISS2	Euro73	30.9	34.9	IS	180	high clamp	2.10
PRIMAL 27.5 MEDIUM	140	415	625	457	589	606	420	120	67°	73°	40	1120	785	27.5"	27.5"x2.35"	-	-	-	130-160	135x10	IS42/ISS2	Euro73	30.9	34.9	IS	180	high clamp	2.15
PRIMAL 27.5 LARGE	140	440	625	480	610	631	420	120	67°	73°	40	1145	785	27.5"	27.5"x2.35"	-	-	-	130-160	135x10	IS42/ISS2	Euro73	30.9	34.9	IS	180	high clamp	2.19
PRIMAL 27.5 X-LARGE	140	465	625	508	632	656	420	120	67°	73°	40	1170	785	27.5"	27.5"x2.35"	-	-	-	130-160	135x10	IS42/ISS2	Euro73	30.9	34.9	IS	180	high clamp	2.25
PRIMAL 27.5+ SMALL	140	400	644	430	576	585	425	115	67°	74°	60	1125	795	27.5"+	27.5"x3.0"	-	-	-	120-150	148x12	IS42/ISS2	Euro73	30.9	34.9	IS	180	no	2.25
PRIMAL 27.5+ MEDIUM	140	425	644	456	605	610	425	115	67°	74°	60	1150	795	27.5"+	27.5"x3.0"	-	-	-	120-150	148x12	IS42/ISS2	Euro73	30.9	34.9	IS	180	no	2.30
PRIMAL 27.5+ LARGE	140	450	644	482	626	635	425	115	67°	74°	60	1175	795	27.5"+	27.5"x3.0"	-	-	-	120-150	148x12	IS42/ISS2	Euro73	30.9	34.9	IS	180	no	2.35
PRIMAL 2015 SMALL	140	370	610	426	559	585	425	115	67°	71°	30	1085	780	27.5"/26"	27.5"x2.2" 26"x2.35"	-	-	-	120-160	135x10	IS42/ISS2	Euro73	31.6	34.9	IS	180	high clamp/ low clamp	2.12
PRIMAL 2015 MEDIUM	140	390	610	452	573	604	425	115	67°	71°	30	1105	792	27.5"/26"	27.5"x2.2" 26"x2.35"	-	-	-	120-160	135x10	IS42/ISS2	Euro73	31.6	34.9	IS	180	high clamp/ low clamp	2.17
PRIMAL 2015 LARGE	140	415	610	477	591	625	425	115	67°	71°	30	1125	803	27.5"/26"	27.5"x2.2" 26"x2.35"	-	-	-	120-160	135x10	IS42/ISS2	Euro73	31.6	34.9	IS	180	high clamp/ low clamp	2.21
PRIMAL 29 MEDIUM	140	390	600	432	559	590	437	115	68°	71°	49	1160	766	29"	29"x2.2"	-	-	-	100-140	135x10	IS42/ISS2	Euro73	31.6	34.9	IS	180	high clamp/ low clamp	2.17
PRIMAL 29 LARGE	140	420	600	483	582	620	437	115	68°	71°	49	1190	785	29"	29"x2.2"	-	-	-	100-140	135x10	IS42/ISS2	Euro73	31.6	34.9	IS	180	high clamp/ low clamp	2.26
TWO6PLAYER SHORT	100	385	564	310	545	-	385	115	69°	-	20	1040	-	26"	26"x2.35"	-	-	-	90-130	135x10	EC34/ZS49 EC34/EC49	Euro73	27.2	31.8	IS	160	no	2.16
TWO6PLAYER LONG	100	414	564	310	574	-	385	115	69°	-	20	1070	-	26"	26"x2.35"	-	-	-	90-130	135x10	EC34/ZS49 EC34/EC49	Euro73	27.2	31.8	IS	160	no	2.21
TWO4PLAYER	100	387	550	300	548	-	370	115	69°	-	5	1016	-	24"	24"x2.35"	-	-	-	80-120	135x10	EC34/ZS49 EC34/EC49	Euro73	27.2	31.8	IS	160	no	2.10
CODY	100	400	558	300	570	-	380	110	69°	-	15	1040	-	26"	26"x2.35"	-	-	-	80-110	135x10	IS42/IS42	Spanish 68	27.2	integr.	IS	140	no	2.26
CODY TAPERED	100	400	558	300	570	-	380	110	69°	-	15	1040	-	26"	26"x2.35"	-	-	-	80-110	135x10	IS42/EC44	Spanish 68	27.2	integr.	IS	140	no	2.26
QUINNIE	100	402	543	300	574	-	383	110	68.5°	-	0	1050	-	26"	26"x2.35"	-	-	-	80-110	135x10	IS42/IS42	Euro 68	27.2	integr.	IS	160	no	2.48
GHETTO	80	390	507	270	546	-	360	110	70°	-	-24	988	-	24"	24"x2.35"	-	-	-	rigid 60-100	135x10	IS42/IS42	Spanish 68	27.2	integr.	pivots	-	no	2.16
FREAKY	rigid	418	510	255	555	-	365	110	72.5°	-	5	966	-	24"/26"	24"x2.1" 26"x2.1"	-	-	-	rigid	110x14	IS42/IS42	Spanish 68	25.4	integr.	pivots	-	no	2.44

* fork travel used for calculating the geometry showed in this table (in millimetres)

** standover for Primal frame calculated for 27.5" wheels

*** recommended fork travel range (in millimetres)



- reach** – horizontal distance from BB center to HT center
- stack** – vertical distance from BB center to HT top
- ST** – seat tube length (BB center to ST top)
- TT** – top tube length (actual)
- eTT** – top tube length (effective)
- CS** – chain stay length
- HT** – head tube length
- HT angle** – head tube angle
- eST angle** – seat tube angle (effective)
- BB drop** – bottom bracket height (BB center to WB)
- WB** – wheel base
- standover** – vertical distance from the ground to TT top (in the middle of the TT length with wheels assembled)