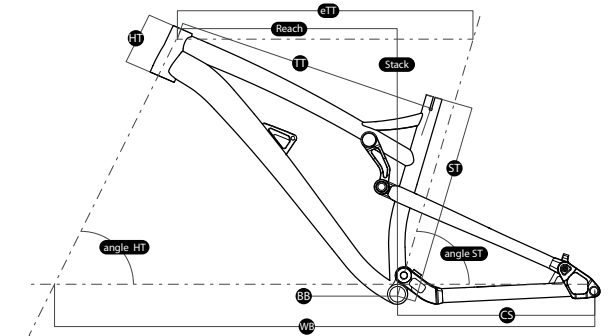


# COMPLETE BIKES 2021 geometry

	reach (mm)	stack (mm)	ST (mm)	TT (mm)	eTT (mm)	CS (mm)	HT (mm)	HT angle (°)	ST angle (°)	BB drop (mm)	WB (mm)	stand- over (mm)	wheel size (")	hub size	headset type (S.H.I.S.)	BB type (mm)	post diam. (mm)	clamp diam. (mm)	brake mount	max. rotor size (mm)
<b>BLACKBIRD EVO/INTRO 29</b>																				
MEDIUM	450	635	450	-	594	448	120	65	77	30	1235	825	29	148x12	IS42/IS52	BSA/Euro73	30.9	34.9	PM 160mm	203
LARGE	480	635	480	-	624	448	120	65	77	30	1265	825	29	148x12	IS42/IS52	BSA/Euro73	30.9	34.9	PM 160mm	203
XLARGE	505	635	490	-	650	448	120	65	77	30	1290	825	29	148x12	IS42/IS52	BSA/Euro73	30.9	34.9	PM 160mm	203
<b>BLACKBIRD EVO/INTRO 27.5</b>																				
SMALL	400	606	405	-	552	429	120	65	76	14	1151	790	27.5	148x12	IS42/IS52	BSA/Euro73	30.9	34.9	PM 160mm	203
MEDIUM	435	606	430	-	587	429	120	65	76	14	1186	790	27.5	148x12	IS42/IS52	BSA/Euro73	30.9	34.9	PM 160mm	203
LARGE	460	606	455	-	612	429	120	65	76	14	1211	790	27.5	148x12	IS42/IS52	BSA/Euro73	30.9	34.9	PM 160mm	203
XLARGE	485	606	480	-	637	429	120	65	76	14	1236	790	27.5	148x12	IS42/IS52	BSA/Euro73	30.9	34.9	PM 160mm	203
<b>BLUEBIRD PRO/EVO 29</b>																				
MEDIUM	435	618	450	-	587	439	110	66	76	35	1178	820	29	148x12	IS42/IS52	BSA/Euro73	30.9	34.9	PM 160mm	180
LARGE	460	618	460	-	612	439	110	66	76	35	1203	820	29	148x12	IS42/IS52	BSA/Euro73	30.9	34.9	PM 160mm	180
XLARGE	485	618	480	-	637	439	110	66	76	35	1228	820	29	148x12	IS42/IS52	BSA/Euro73	30.9	34.9	PM 160mm	180
<b>BLUEBIRD PRO/EVO 27.5</b>																				
SMALL	415	597	400	-	590	431	110	66	74	23	1136	785	27.5	148x12	IS42/IS52	BSA/Euro73	30.9	34.9	PM 160mm	180
MEDIUM	435	597	430	-	610	431	110	66	74	23	1156	785	27.5	148x12	IS42/IS52	BSA/Euro73	30.9	34.9	PM 160mm	180
LARGE	465	597	460	-	640	431	110	66	74	23	1186	785	27.5	148x12	IS42/IS52	BSA/Euro73	30.9	34.9	PM 160mm	180
<b>BLACKBIRD JUNIOR</b>																				
ONE SIZE	365	558	360	-	502	425	100	66	73	14	1075	750	26	142x12	IS42/IS52	BSA/Euro73	30.9	34.9	PM 160mm	180
<b>HORNET PRO/HORNET</b>																				
SMALL	405	625	380	-	596	425	120	64	73	35	1158	805	27.5/27.5+	148x12	IS42/IS52	BSA/Euro73	30.9	34.9	PM 160mm	203
MEDIUM	430	625	410	-	620	425	120	64	73	35	1183	805	27.5/27.5+	148x12	IS42/IS52	BSA/Euro73	30.9	34.9	PM 160mm	203
LARGE	460	625	440	-	650	425	120	64	73	35	1213	805	27.5/27.5+	148x12	IS42/IS52	BSA/Euro73	30.9	34.9	PM 160mm	203
XLARGE	480	625	455	-	672	425	120	64	73	35	1233	805	27.5/27.5+	148x12	IS42/IS52	BSA/Euro73	30.9	34.9	PM 160mm	203
<b>HORNET JUNIOR</b>																				
ONE SIZE	360	527	305	-	521	390	90	68	73	30	993	700	24	135x10	IS42/IS52	BSA/Euro73	30.9	34.9	IS	160
<b>PRIMAL PRO/EVO/INTRO 29</b>																				
SMALL	410	636	435	-	600	432	100	66	73.5	62	1149	790	29	148x12	IS42/IS52	BSA/Euro73	30.9	34.9	IS	180
MEDIUM	430	636	455	-	620	432	100	66	73.5	62	1169	790	29	148x12	IS42/IS52	BSA/Euro73	30.9	34.9	IS	180
LARGE	450	636	475	-	640	432	100	66	73.5	62	1189	790	29	148x12	IS42/IS52	BSA/Euro73	30.9	34.9	IS	180
XLARGE	470	636	495	-	660	432	100	66	73.5	62	1209	790	29	148x12	IS42/IS52	BSA/Euro73	30.9	34.9	IS	180
<b>PRIMAL PRO/EVO/INTRO 27.5</b>																				
SMALL	410	617	435	-	593	420	115	65.5	73.5	47	1145	790	27.5	148x12	IS42/IS52	BSA/Euro73	30.9	34.9	IS	180
MEDIUM	430	617	455	-	613	420	115	65.5	73.5	47	1165	790	27.5	148x12	IS42/IS52	BSA/Euro73	30.9	34.9	IS	180
LARGE	450	617	475	-	633	420	115	65.5	73.5	47	1185	790	27.5	148x12	IS42/IS52	BSA/Euro73	30.9	34.9	IS	180
XLARGE	470	617	495	-	653	420	115	65.5	73.5	47	1205	790	27.5	148x12	IS42/IS52	BSA/Euro73	30.9	34.9	IS	180
<b>SPARROW</b>																				
MEDIUM	440	630	430	-	609	427	110	66	75	47/66	1172	782	27.5/29	135x10	IS42/IS52	BSA/Euro 73	30.9	34.9	PM 160	180
LARGE	470	630	450	-	639	427	110	66	75	47/66	1202	793	27.5/29	135x10	IS42/IS52	BSA/Euro 73	30.9	34.9	PM 160	180
<b>SPARROW INTRO</b>																				
MEDIUM	440	630	430	-	609	427	110	66	75	47	1172	777	27.5	135x10	IS42/IS52	BSA/Euro 73	30.9	34.9	PM 160	180
LARGE	470	630	450	-	639	427	110	66	75	47	1202	788	27.5	135x10	IS42/IS52	BSA/Euro 73	30.9	34.9	PM 160	180
<b>HORNET 26</b>																				
ONE SIZE	420	565	330	-	603	400	100	68	70	30	1078	-	26	148x12	IS42/IS52	BSA/Euro73	30.9	34.9	IS	180
<b>STREETFIGHTER</b>																				
ONE SIZE	425	560	335	570	-	395	100	70	75	25	1061	-	26	135x10	IS42/IS52	BSA/Euro73	30.9	34.9	IS	180
<b>SHINE PRO</b>																				
ONE SIZE	424	573	345	547	-	390	120	69	73	15	1074	-	26	135x10	IS42/IS52	BSA/Euro73	30.9	34.9	IS	160
<b>TWOGPLAYER PRO/EVO</b>																				
SHORT	400	573	337	556	-	385	120	69	74	25	1043	-	26	135x10	IS42/IS52	BSA/Euro73	30.9	34.9	IS	160
LONG	425	573	337	577	-	385	120	69	74	25	1068	-	26	135x10	IS42/IS52	BSA/Euro73	30.9	34.9	IS	160
<b>TWOGPLAYER PUMP</b>																				
MEDIUM	410	573	337	565	-	385	120	69	74	25	1053	-	26	135x10	IS42/IS52	BSA/Euro73	30.9	34.9	IS	160
<b>QUINNIE</b>																				
ONE SIZE	412	558	300	576	-	383	110	69	72	15	1054	-	26	135x10	IS42/IS52	BSA/Euro68	27.2	integr.	IS	160
<b>GAMER 26/GAMER INTRO 26</b>																				
ONE SIZE	410	580	332	575	-	385	110	69	74	20	1071	-	26	135x10	IS42/IS52	BSA/Euro73	30.9	34.9	IS	160
<b>GAMER INTRO 24</b>																				
ONE SIZE	365	544	325	516	-	370	90	69	75	3	986	-	24	135x10	IS42/IS52	BSA/Euro73	27.2	31.8	IS	160



- reach** – horizontal distance from BB center to HT center
- stack** – vertical distance from BB center to HT top
- ST** – seat tube length (BB center to ST top)
- TT** – top tube length (actual)
- eTT** – top tube length (effective)
- CS** – chain stay length
- HT** – head tube length
- HT angle** – head tube angle
- ST angle** – seat tube angle
- BB drop** – bottom bracket height (BB center to WB)
- WB** – wheel base
- standover** – vertical distance from the ground to TT top (in the middle of the TT length with wheels assembled)