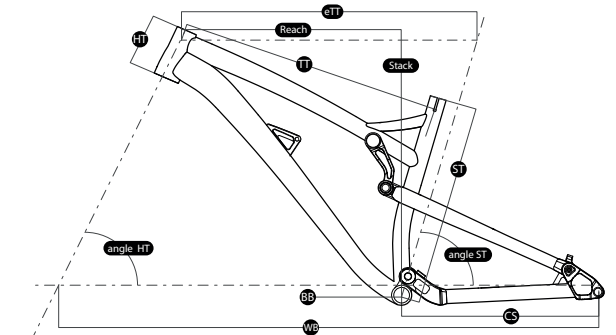


# FRAMES 2019 geometry

model	*calc. fork travel	reach (mm)	stack (mm)	ST (mm)	TT (mm)	eTT (mm)	CS (mm)	HT (mm)	HT angle	ST angle	BB drop	WB (mm)	stand-over (mm)	wheel size	max. tire size (")	max. chainring size	frame travel (mm)	shock size (mm)	shock hardware (mm)	**fork travel (mm)	hub size	headset type (S.H.I.S.)	BB type (mm)	post diam. (mm)	clamp diam. (mm)	brake mount	max. rotor size (mm)	front derailleur compat.	weight (kg)
<b>BLACKBIRD 27.5</b>																													
SMALL	160	400	606	405	545	552	429	120	65°	76°	14	1151	790	27.5"	27.5x2.5	34T	160	216x63	22.2x8	160-170	142x12	IS42/IS52	BSA/Euro73	30.9	34.9	PM 160mm	180	no	3.45 (without shock);
MEDIUM	160	435	606	430	577	587	429	120	65°	76°	14	1186	790	27.5"	27.5x2.5	34T	160	216x63	22.2x8	160-170	142x12	IS42/IS52	BSA/Euro73	30.9	34.9	PM 160mm	180	no	3.8 (with RS Monarch Plus RC3 HV shock)
LARGE	160	460	606	455	598	612	429	120	65°	76°	14	1211	790	27.5"	27.5x2.5	34T	160	216x63	22.2x8	160-170	142x12	IS42/IS52	BSA/Euro73	30.9	34.9	PM 160mm	180	no	
XLARGE	160	485	606	480	620	637	429	120	65°	76°	14	1236	790	27.5"	27.5x2.5	34T	160	216x63	22.2x8	160-170	142x12	IS42/IS52	BSA/Euro73	30.9	34.9	PM 160mm	180	no	
<b>BLACKBIRD 29</b>																													
MEDIUM	160	450	635	450	590	594	448	120	65°	77°	30	1235	825	29"	29x2.5	34T	160	216x63	22.2x8	160-170	148x12	IS42/IS52	BSA/Euro73	30.9	34.9	PM 160mm	180	no	3.6 (without shock);
LARGE	160	480	635	480	616	624	448	120	65°	77°	30	1265	825	29"	29x2.5	34T	160	216x63	22.2x8	160-170	148x12	IS42/IS52	BSA/Euro73	30.9	34.9	PM 160mm	180	no	3.95 (with RS Monarch Plus RC3 HV shock)
<b>BLUEBIRD 27.5</b>																													
SMALL	130	415	597	400	544	580	431	110	66°	74°	23	1136	785	27.5"/27.5+*	27.5x2.8	34T	130	190x51	22.2x8	130-140	148x12	IS42/IS52	BSA/Euro73	30.9	34.9	IS	180	no	3.1 (without shock);
MEDIUM	130	435	597	430	563	610	431	110	66°	74°	23	1156	785	27.5"/27.5+*	27.5x2.8	34T	130	190x51	22.2x8	130-140	148x12	IS42/IS52	BSA/Euro73	30.9	34.9	IS	180	no	3.3 (w/ RS Monarch RL shock)
LARGE	130	465	597	460	594	640	431	110	66°	74°	23	1166	785	27.5"/27.5+*	27.5x2.8	34T	130	190x51	22.2x8	130-140	148x12	IS42/IS52	BSA/Euro73	30.9	34.9	IS	180	no	
<b>BLUEBIRD 29</b>																													
MEDIUM	130	435	618	450	566	587	439	110	66°	76°	35	1178	820	29"	29x2.6	34T	130	190x51	22.2x8	130-140	148x12	IS42/IS52	BSA/Euro73	30.9	34.9	IS	180	no	3.15 (without shock);
LARGE	130	460	618	460	588	612	439	110	66°	76°	35	1203	820	29"	29x2.6	34T	130	190x51	22.2x8	130-140	148x12	IS42/IS52	BSA/Euro73	30.9	34.9	IS	180	no	3.35 (w/ RS Monarch RL shock)
XLARGE	130	485	618	480	610	637	439	110	66°	76°	35	1228	820	29"	29x2.6	34T	130	190x51	22.2x8	130-140	148x12	IS42/IS52	BSA/Euro73	30.9	34.9	IS	180	no	
<b>BLACKBIRD JR</b>																													
	130	365	558	360	492	502	425	100	66°	73°	14	1075	750	26"	26x2.5	34T	130	165x38	22.2x8	130-140	142x12	IS42/IS52	BSA/Euro73	30.9	34.9	PM 160mm	180	no	3.05 (without shock)
<b>HORNET</b>																													
SMALL	160	405	620	380	585	595	425	120	65°	73°	30	1151	805	27.5"/27.5+*	27.5x2.8	36T	-	-	-	140-180	142x12	IS42/IS52	BSA/Euro73	30.9	34.9	PM 160mm	203	no	2.6
MEDIUM	160	430	620	410	603	620	425	120	65°	73°	30	1176	805	27.5"/27.5+*	27.5x2.8	36T	-	-	-	140-180	142x12	IS42/IS52	BSA/Euro73	30.9	34.9	PM 160mm	203	no	2.65
LARGE	160	450	620	440	626	650	425	120	65°	73°	30	1206	805	27.5"/27.5+*	27.5x2.8	36T	-	-	-	140-180	142x12	IS42/IS52	BSA/Euro73	30.9	34.9	PM 160mm	203	no	2.7
<b>HORNET 4X</b>																													
	100	415	570	375	576	589	400	115	68°	73°	28	1076	-	26"	26x2.3	32T	-	-	-	80-130	135x12	IS42/IS52	BSA/Euro73	30.9	34.9	IS	160	no	2.15
<b>HORNET JUNIOR</b>																													
	100	360	527	305	514	521	390	90	68°	73°	30	993	700	24"	24x2.5	34T	-	-	-	100-140	135x10	IS42/IS52	BSA/Euro73	30.9	34.9	IS	160	no	1.85
<b>PRIMAL 27.5</b>																													
SMALL	140	410	617	435	584	593	420	115	65.5°	73.5°	47	1145	790	27.5"	27.5x2.6	34T	-	-	-	130-160	148x12	IS42/IS52	BSA/Euro73	30.9	34.9	IS	180	no	2.35
MEDIUM	140	430	617	455	602	613	420	115	65.5°	73.5°	47	1165	790	27.5"	27.5x2.6	34T	-	-	-	130-160	148x12	IS42/IS52	BSA/Euro73	30.9	34.9	IS	180	no	
LARGE	140	450	617	475	619	633	420	115	65.5°	73.5°	47	1185	790	27.5"	27.5x2.6	34T	-	-	-	130-160	148x12	IS42/IS52	BSA/Euro73	30.9	34.9	IS	180	no	
X-LARGE	140	470	617	495	637	653	420	115	65.5°	73.5°	47	1205	790	27.5"	27.5x2.6	34T	-	-	-	130-160	148x12	IS42/IS52	BSA/Euro73	30.9	34.9	IS	180	no	
<b>PRIMAL 29</b>																													
SMALL	140	410	636	435	593	600	432	100	66°	73.5°	62	1149	790	29"	29x2.4	34T	-	-	-	130-160	148x12	IS42/IS52	BSA/Euro73	30.9	34.9	IS	180	no	2.3
MEDIUM	140	430	636	455	615	620	432	100	66°	73.5°	62	1169	790	29"	29x2.4	34T	-	-	-	130-160	148x12	IS42/IS52	BSA/Euro73	30.9	34.9	IS	180	no	
LARGE	140	450	636	475	629	640	432	100	66°	73.5°	62	1189	790	29"	29x2.4	34T	-	-	-	130-160	148x12	IS42/IS52	BSA/Euro73	30.9	34.9	IS	180	no	
XLARGE	140	470	636	495	647	660	432	100	66°	73.5°	62	1209	790	29"	29x2.4	34T	-	-	-	130-160	148x12	IS42/IS52	BSA/Euro73	30.9	34.9	IS	180	no	
<b>SHINE</b>																													
	100	424	573	345	547	-	390	120	69°	73°	15	1074	-	26"	26"x2.4"	32T	100	190x51	22.2x8	100-140	135x10	IS42/IS52	BSA/Euro73	30.9	34.9	IS	160	no	3.2 (without shock)
<b>TWO6PLAYER</b>																													
SHORT	100	400	573	337	556	-	385	120	69°	74°	25	1043	-	26"	26"x2.35"	32T	-	-	-	90-130	135x10	IS42/IS52	BSA/Euro73	30.9	34.9	IS	160	no	2.2
LONG	100	425	573	337	577	-	385	120	69°	74°	25	1068	-	26"	26"x2.35"	32T	-	-	-	90-130	135x10	IS42/IS52	BSA/Euro73	30.9	34.9	IS	160	no	2.25
<b>CODY</b>																													
	100	400	558	300	570	-	380	110	69°	-	15	1040	-	26"	26"x2.35"	-	-	-	-	80-110	135x10	IS42/IS42	Spanish 68	27.2	integr.	IS	140	no	2.26
<b>CODY TAPERED</b>																													
	100	400	558	300	570	-	380	110	69°	-	15	1040	-	26"	26"x2.35"	-	-	-	-	80-110	135x10	IS42/EC44	Spanish 68	27.2	integr.	IS	140	no	2.26
<b>QUINNIE</b>																													
	100	402	543	300	574	-	383	110	68.5°	-	0	1050	-	26"	26"x2.35"	-	-	-	-	80-110	135x10	IS42/IS42	BSA/Euro 68	27.2	integr.	IS	160	no	2.48
<b>STREETFIGHTER</b>																													
	100	425	560	335	572	570	395	100	70°	75°	25	1061	-	26"	26"x2.5"	32T	-	-	-	100-150	135x10	IS42/IS42	BSA/Euro 73	30.9	34.9	IS	180	no	2.3



- reach** – horizontal distance from BB center to HT center
- stack** – vertical distance from BB center to HT top
- ST** – seat tube length (BB center to ST top)
- TT** – top tube length (actual)
- eTT** – top tube length (effective)
- CS** – chain stay length
- HT** – head tube length
- HT angle** – head tube angle
- ST angle** – seat tube angle
- BB drop** – bottom bracket height (BB center to WB)
- WB** – wheel base
- standover** – vertical distance from the ground to TT top (in the middle of the TT length with wheels assembled)

\* fork travel used for calculating the geometry showed in this table (in millimeters)    \*\* recommended fork travel range (in millimeters)